

# TRIMLINE 100 E SOLUS (ELECTRIC) -FRONT-CORNER-PANORAMIC



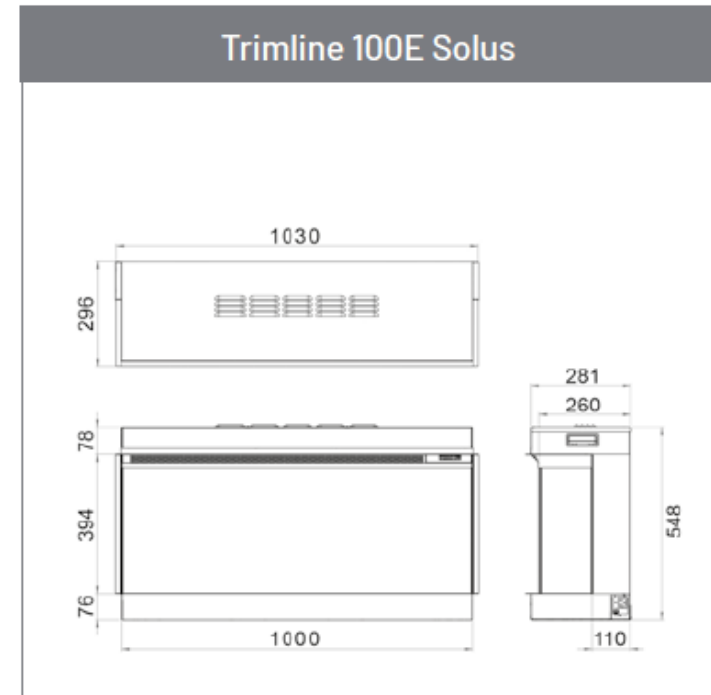
FRONT



CORNER LEFT/RIGHT GLASS



PANORAMIC



Dimensions