

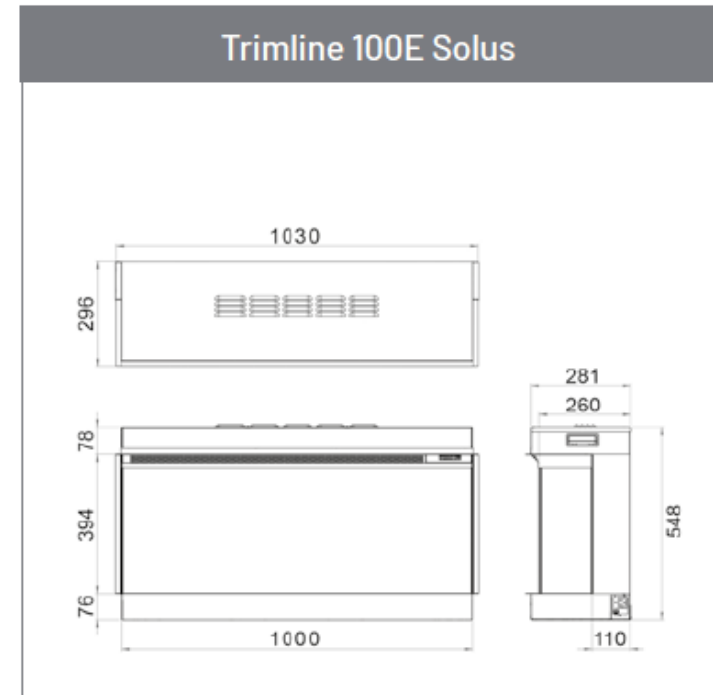
# TRIMLINE 100 E SOLUS (ELECTRIC) -FRONT-CORNER-PANORAMIC



**FRONT**



**CORNER LEFT/RIGHT GLASS**



**PANORAMIC**

**Dimensions**