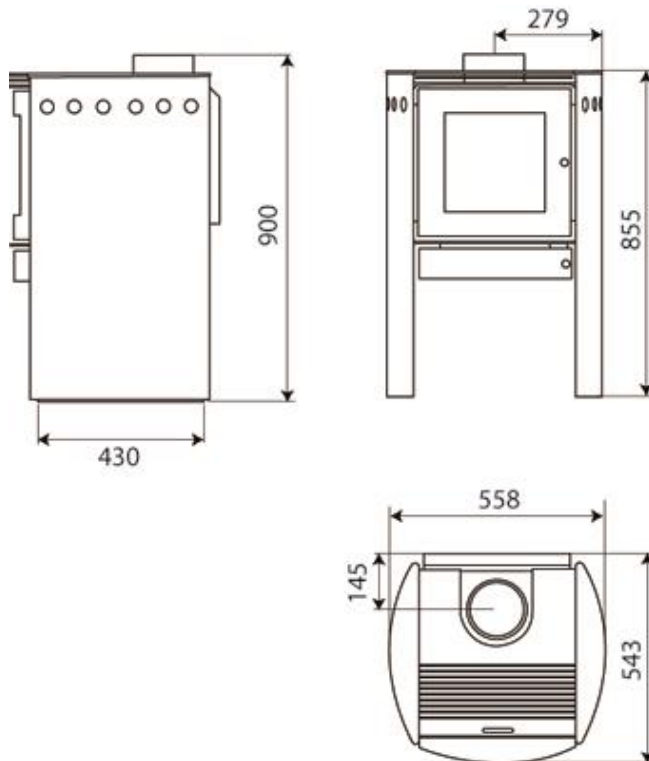


HERGOM – MODEL SPIRIT 500



TECHNICAL SPECIFICATIONS



Technical Data

MODEL	Spirit
CE Certificate	EZ-08-2557-01
Total heat output	14,6 - 12.556
Power transferred to the atmosphere	11,3 - 9.718
Material	Chapa, interior refractory
Performance	75,30%
Trunks admits	350
Metallic chimney Ø mm.	150
Brick Chimney	-
RECOMMENDED height of chimney	4 a 5 m
Smoke vent:	Top
Primary Air Control	Yes
Secondary Air Control	Yes
Double combustion	Yes
Crystal Clean System	Yes
Ashtray	Yes
Finishes	Finishes
Net weight (Kgrs.)	125