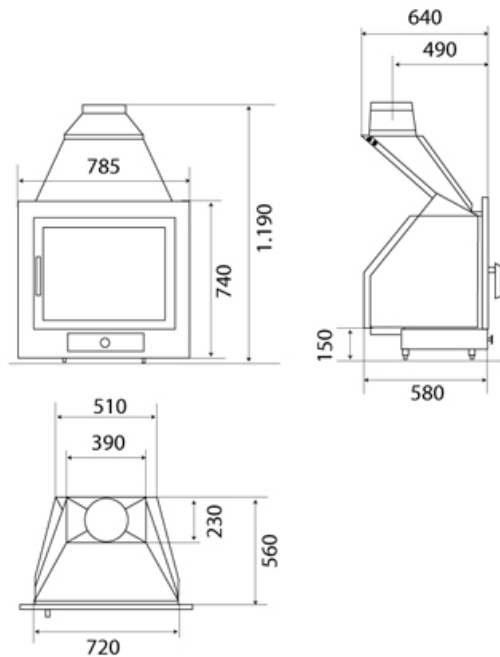


# HERGOM H-02/22 BOILER



## TECHNICAL DATA

EC CERTIFICATION	LEE 007-06
NORM	EN 13229
TOTAL HEAT OUTPUT (KW)	25
NOMINAL HEAT OUTPUT TO WATER (KW)	18
NOMINAL HEAT OUTPUT TO AIR (KW)	14,9
EFFICIENCY (%)	70%
MAXIMUM LOG LENGTH (MM)	500
MAXIMUM WATER TEMPERATURE (°C)	80
WEIGHT (KG.)	223
FLUE EXIT	Top
Ø FLUE EXIT (MM)	200
MINIMUM DRAFT (PA)	12